



# Moisture Drain



## Leak-Proof Moisture Drain

**Fast, economical way to install a leak-proof drain**

Draws surrounding duct area into a funnel shape, ensuring drainage

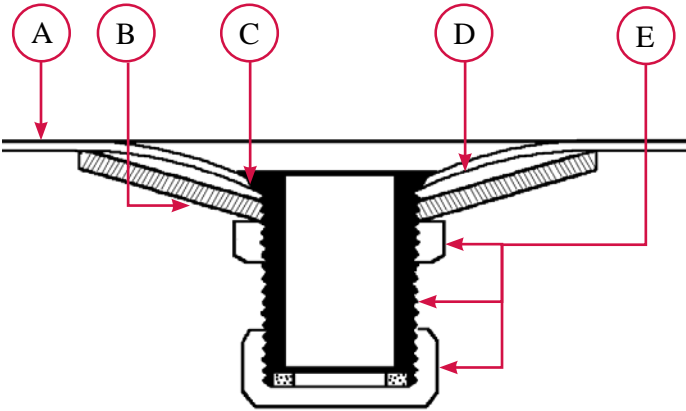


**DUCTMATE<sup>®</sup>**  
**Industries, Inc.**

# Moisture Drain

Leakproof  
Drain

## COMPONENTS & FEATURES



- A. Duct wall
- B. The funnel is made of 12 gauge galvanized sheet metal and cannot be deformed.
- C. The edge of the duct opening is pressed against the upper edge of the duct drain, making it leak-tight.
- D. A large area of the duct is drawn into a funnel shape.
- E. The threaded drain, nut, and cap are corrosion resistant.

## BASIC USE

When moisture collection is a problem in duct work or drain pans, the Ductmate moisture drain is an economical and fast way of installing a leakproof drain.

## DIMENSIONS

Moisture Drain	Diameter of MPT Pipe	Diameter of Hole in Duct Wall	Diameter of Funnel	Total Height w/o Cap
3/4"	3/4"	1 1/16" (27mm)	3 1/2" (86mm)	1 1/2" (40mm)

## PACKAGING INFORMATION

Part No.	Item Description	Packing Unit	Unit Weight
MD75GA	Drain Fittings	10 pieces	5 lbs. (2.27 kg)
DM1610DC	Drain Cap	10 pieces	2.5 lbs. (1.13 kg)

## ASSEMBLY

1. Drill a 1 1/16" hole in the duct wall with the appropriate drill bit.
2. Insert the drain.
3. Position the funnel and screw on the nut. Tighten the nut until the sheet metal wall is drawn down into the funnel. Typically, no gaskets are used. A sealant need only be applied when damaged or very rough metal surfaces are used. The cap is to be used when there is no drainage pipe.

## LIMITED PRODUCT WARRANTY

The manufacturer is not liable for consequential, incidental or special damages. There are no statutory or implied warranties including the warranties of fitness for a particular purpose and merchantability. There are no warranties other than as set forth below and factory neither assumes nor authorizes any person to assume any liability or other obligation in connection with Ductmate Moisture Drains.

Ductmate Moisture Drains are warranted to be free from any and all defects in material and workmanship only at the time of shipment from our factory. If material is shown to be defective at the time of shipment from our factory, manufacturer will at its sole option, replace or issue credit for the original purchase price.

To determine the suitability of Ductmate Moisture Drains for each specific purpose the user must conduct his own test. Manufacturer does not guarantee the results from the use of Ductmate Moisture Drains because of the extreme differences in surface texture and porosity of available materials as well as the possibility of structural movement or externally caused damages.



Charleroi, PA  
210 Fifth Street  
Charleroi, PA 15022  
800-245-3188  
724-258-0500  
FAX: 724-258-5494

Lodi, CA  
810 S. Cluff Avenue  
Lodi, CA 95240-9141  
800-344-3270  
209-333-4680  
FAX: 209-333-4678

[www.ductmate.com](http://www.ductmate.com)



Distributed By:

Ductmate is a proud member of the following organizations:



© Copyright Ductmate Industries, Inc. All rights reserved.